

# SIMONSWERK TECTUS®

## TECTUS TE 540 3D

for unrebated heavy-duty doors with casing frames

**hinge** up to 120 kg

### Technical Details

Load capacity	120,0 kg
Length (door/frame)	200,0/200,0 mm
Width (door/frame)	32,0/32,0 mm
Cutter diameter	24,0 mm

### Descriptive Text

SIMONSWERK Türband TECTUS TE 540 3D. Komplette verdeckt liegend für ungefälzte Türen an Holz-, Stahl- und Aluminiumzargen. UL-zertifiziert, mit komfortabler 3D-Verstellung, Belastungswert 120 kg, Öffnungswinkel bis 180°, Gesamtlänge 200 mm, DIN rechts und links verwendbar, wartungsfreie Gleitlagertechnik, dreidimensional verstellbar: Seite +/- 3,0 mm, Höhe +/- 3,0 mm, Andruck +/- 1,0 mm. Oberfläche...

### Note

Finger protection due to a small gap between door and frame

### Functional areas

soundproof, burglar resistance und Fire resistance, Smoke resistance

### Quality Marks

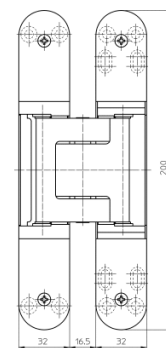


### Combination

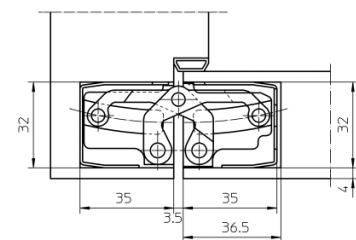
Receiver	casing frame	TE 540 3D FZ/1
	steel frame	TE 540 3D SZ

### Installation aids

universal milling frame	
Template No. 5 250680 5	step 1
Template No. 5 250681 5	step 2



front view



block frame

# SIMONSWERK

## TECTUS®

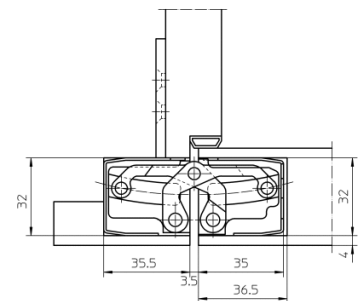
### TECTUS TE 540 3D

for unrebated heavy-duty doors with casing frames

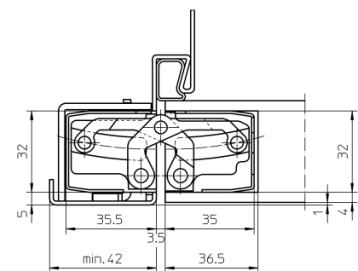
**hinge** up to 120 kg

**Items** (DIN direction: DIN right and left hand applicable)

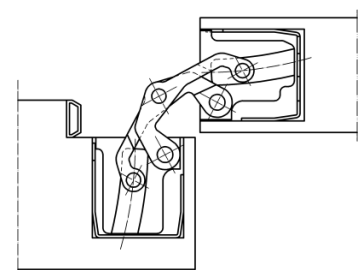
<b>finish(es)</b>	polished brassed
<b>Packing unit</b>	Pack of 2
<b>Item number</b>	5 400578 0 03002
<b>finish(es)</b>	polished nickelled
<b>Packing unit</b>	Pack of 2
<b>Item number</b>	5 400578 0 03802
<b>finish(es)</b>	powder coated
<b>Packing unit</b>	EUR pallet
<b>Item number</b>	5 400578 0 07975
<b>finish(es)</b>	F1 powder coated
<b>Packing unit</b>	Pack of 2
<b>Item number</b>	5 400578 0 12402
<b>finish(es)</b>	F2 powder coated
<b>Packing unit</b>	Pack of 2
<b>Item number</b>	5 400578 0 12502
<b>finish(es)</b>	stainless steel look
<b>Packing unit</b>	Pack of 2
<b>Item number</b>	5 400578 0 12602



casing frame



steel frame



Blockzarge 90°

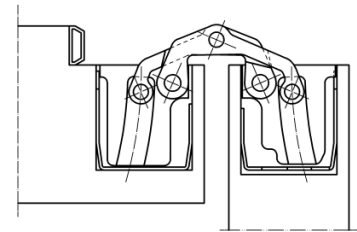
**SIMONSWERK**  
TECTUS®

## TECTUS TE 540 3D

for unrebated heavy-duty doors with casing frames

hinge

up to 120 kg



Blockzarge 180°